

Male Style 1/2 C High Temperature



Series 8557 – 3 rows (3 x 16)

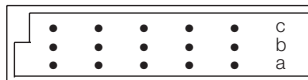


Contact Design and Termination Length	Number of Contacts	Loading Description	Part Number Performance classes according to DIN 41612	
			II	I
3.4 mm (Y) Straight	48	a + b + c fully loaded	10 8557 048 001 025	10 8557 048 001 049
	32	a + c fully loaded	10 8557 048 001 026	10 8557 048 001 050
	16	a loading only	10 8557 048 001 027	10 8557 048 001 051
3.0 mm (Y) Right Angled	48	a + b + c fully loaded	10 8557 048 002 025	10 8557 048 002 049
	32	a + c fully loaded	10 8557 048 002 026	10 8557 048 002 050
	16	a loading only	10 8557 048 002 027	10 8557 048 002 051
	46 + 2	fully loaded + ground	10 8557 048 102 025	10 8557 048 102 049
2.3 mm (Y) Right Angled	48	a + b + c fully loaded	10 8557 048 008 025	10 8557 048 008 049
	32	a + c fully loaded	10 8557 048 008 026	10 8557 048 008 050
	16	a loading only	10 8557 048 008 027	10 8557 048 008 051

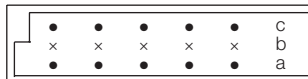
NB: Alternative Prefix Variations Available: 16, please refer to Page 10.

Additional Plating & Loading Variations: Please contact your local AVX sales office or distributor.

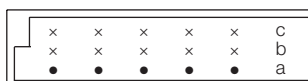
LOADING DESCRIPTION



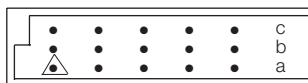
48 contacts, rows a + b + c fully loaded



32 contacts, rows a + c fully loaded

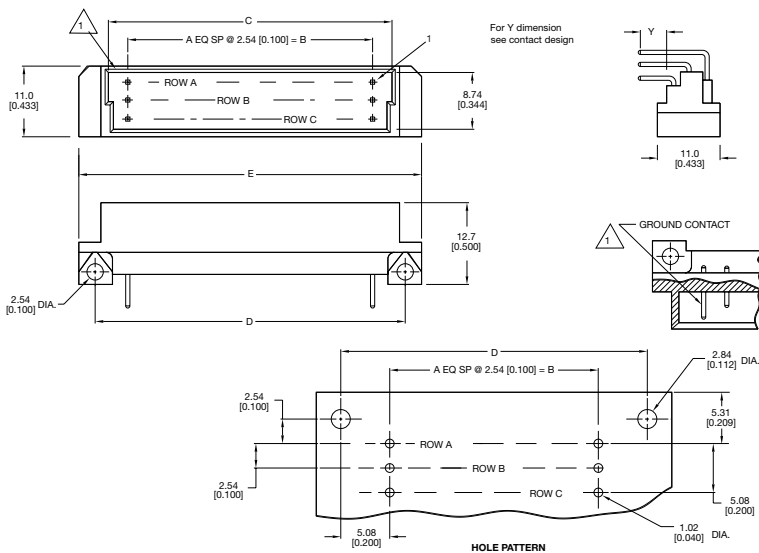


16 contacts, row a loading only



46 + 2 contacts, fully loaded with ground in A1 & A16

DIMENSIONS



△ denotes ground pin

Unit: millimeters (inches)

No. Contact Positions	Contact Rows	A	B	C	D	E
48	3 (3 x 16)	15	38.10 (1.500)	44.70 (1.760)	48.26 (1.900)	53.90 (2.122)